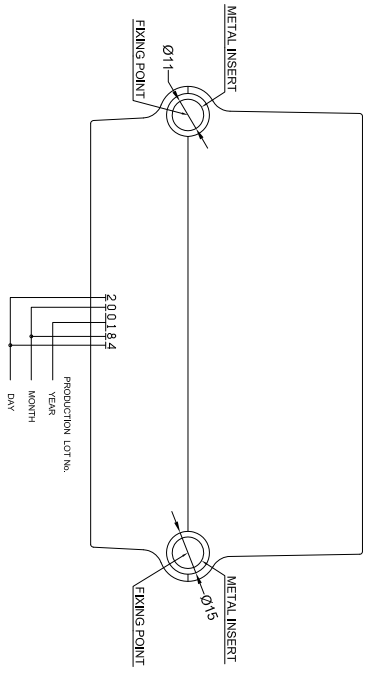
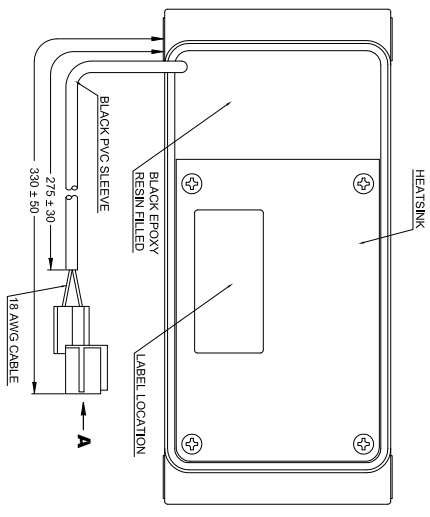
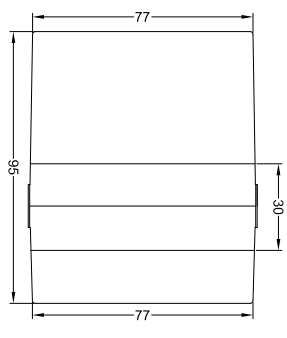
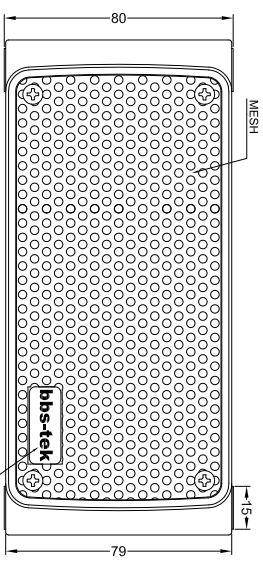
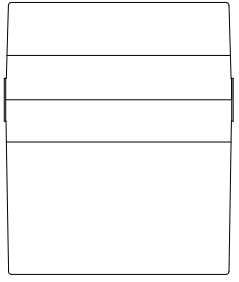
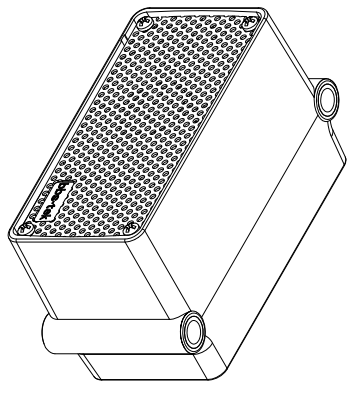
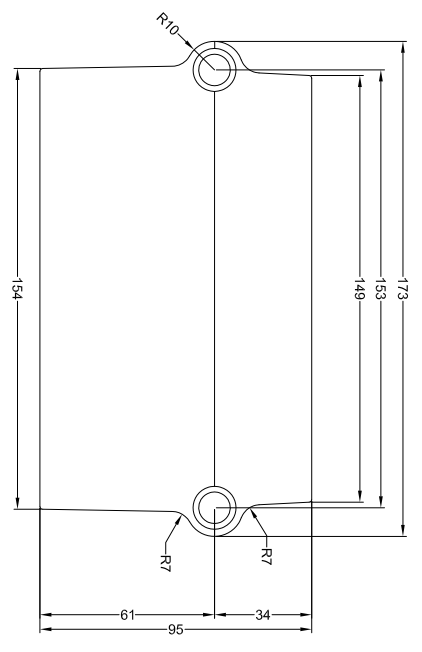


# VIEW A



PIN 1 = RED (+)  
PIN 2 = BLK (-)

MATING FACE



### SPECIFICATION

- 1) RATED VOLTAGE: 12/24 Vdc
- 2) RATED CURRENT: <1 AMP AT RATED VOLTAGE OF 24 Vdc
- 3) SOUND PRESSURE: 102 dB(A) AT RATED VOLTAGE OF 24 Vdc (AS MEASURED AT A DISTANCE OF 1.2 METRES AND AT A HEIGHT OF 1.2 METRES ABOVE THE GROUND)
- 4) INTERMITTENCE: 90±10 CYCLES PER MINUTE AT RATED VOLTAGES OF 24 Vdc
- 5) TONE: WHITE SOUND

CHANGES FROM BASE PRODUCT BBS-102 (#0898) TO BBS-102(SC) (#1172)

### CHANGE:

- 1) CABLE LENGTH SHORTEN FROM 1000 TO 300
- 2) BLACK PVC SLEEVE ADDED,
  - 1) 6MM BLACK PVC - P/C60
- 3) SUMMITOMO CONNECTOR ADDED,
  - 1) CONNECTOR HOUSING - 6181-0070,
  - 1) CONNECTOR RETAINER - 6918-0323,
  - 1) CONNECTOR TERMINAL - 1500-0105,
  - 1) CONNECTOR SEAL - 7165-0018,

### OPERATION:

OPERATION IS SAME AS BBS-102 (#0898).

NOTES:  
DIMENSIONS IN MM

PROPRIETARY NOTICE

THIS DESIGN AND TECHNICAL INFORMATION APPEARING ON THIS DRAWING IS THE PROPERTY OF BRIGADE ELECTRONICS PLC, AND IS DISCLOSED IN CONFIDENCE. IT IS NOT TO BE COPIED, REPRODUCED, REVEALED TO OR APPROPRIATE BY OTHERS, EITHER IN WHOLE OR IN PART WITHOUT THE EXPRESS WRITTEN CONSENT OF BRIGADE ELECTRONICS PLC.

Item#	Quantity	Title/Name, designation, material, dimension etc	Article No./Reference
Designed by	Checked by	Approved by - date	Date
MOUTLER	D/KERAN	S/MATTERNS	25/11/2009
Scale		N/A	

BRIGADE ELECTRONICS BBS-102(SC) (#1172)

BE-000951-00-09 Edition A Sheet 1/1